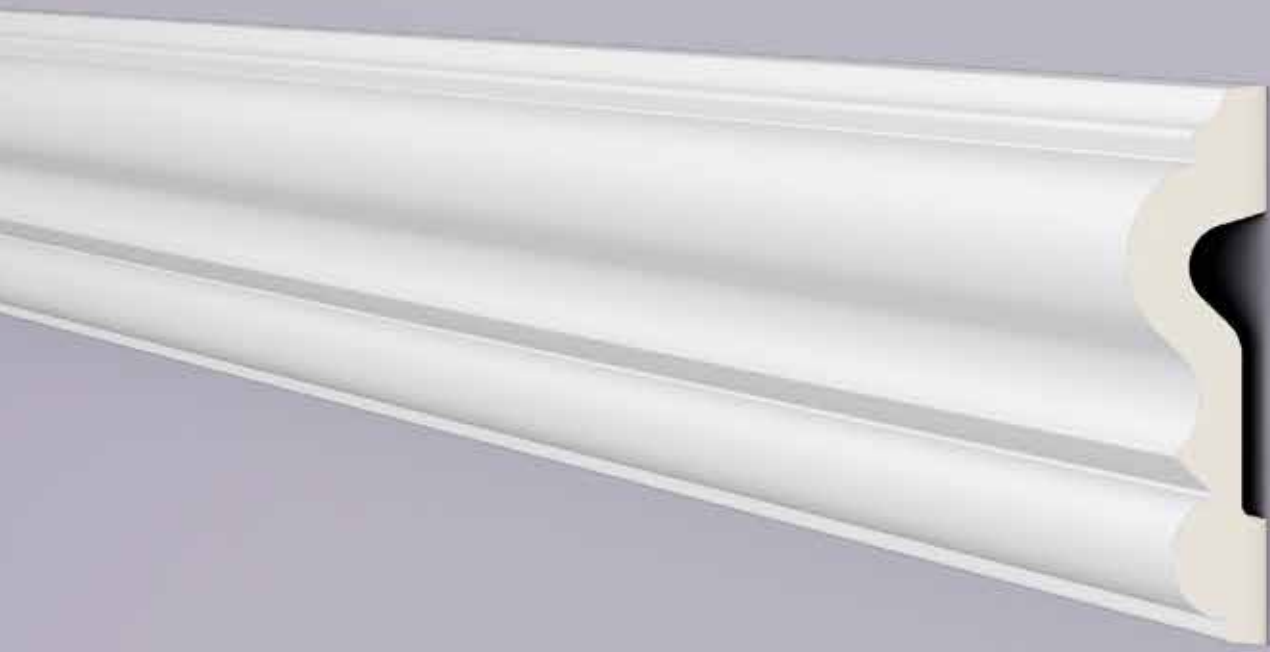
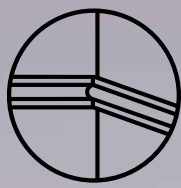


CHAIR RAILS

ARSTYL® | WALLSTYL®



NOËL & MARQUET

DESIGN ELEMENTS

INDEX

INFO

PRODUCT OVERVIEW	7
GLUE	11
GLUE CONSUMPTION	13
TOOLS	15
FINISH	19
INSPECTIONS INSTRUCTIONS	21

I • CORNICES

CORNICES GENERAL	
PREPARATION, CUTTING, INSTALLATION	1/2
CORNICES Z40 · Z41 · Z42 ARSTYL®	
CUTTING, REGULAR CORNERS, IRREGULAR CORNERS	1/6
CORNICE Z7 ARSTYL®	
FIX THE VARIO EXTENSION, INSTALLATION	1/7
SPECIAL CASES	
CORNICES IN A STAIRWEL	1/10
STEPPED WALL	1/11
EXPANSION JOINTS AND ANTI-VIBRATION ISOLATION JOINTS	1/12
HOLLOW JOINT	1/12
STOPPING A MOULDING	1/13

2 • CHAIR RAILS

CHAIR RAILS GENERAL	
PREPARATION, CUTTING, INSTALLATION	2/2
CURVES FOR CHAIR RAILS	
PREPARATION, CUTTING, INSTALLATION	2/5
SPECIAL CASE	
STOPPING A CHAIR RAIL	2/7

3 • SKIRTINGS

SKIRTINGS GENERAL	
PREPARATION, CUTTING, INSTALLATION	3/2
SPECIAL CASES	
STOPPING A SKIRTING	3/5

4 • FLEXIBLE PROFILES

ARSTYL® FLEX · WALLSTYL® FLEX	
RADIUS	4/2

5 • LIGHTING PROFILES

INDIRECT LIGHTING - CORNICES	
PREPARATION, CUTTING, INSTALLATION	5/2
CORNICES NOMASTYL® OR WALLSTYL®	
FOR INDIRECT LIGHTING	5/6
WT4 WALLSTYL(r) - COMPLEMENT	5/7
INDIRECT LIGHTING SKIRTINGS	
PREPARATION, CUTTING, INSTALLATION	5/8
LIGHTING PROFILES - FAQ	5/13



6 • DESIGN ELEMENTS

CEILING ROSES S ARSTYL® PRÉPARATION, INSTALLATION	6/2
R61 IN COMBINATION WITH Z61 PREPARATION, CUTTING, INSTALLATION	6/3
PILASTERS ARSTYL® PREPARATION, CUTTING, INSTALLATION	6/5
WALL PANELS ARSTYL® WALL PANELS PREPARATION, INSTALLATION	6/8
WALL TILES ARSTYL® WALL TILES VARIED AND CREATIVE WALL INSTALLATION OPTIONS	6/12
PREPARATION, INSTALLATION	6/12
SPECIAL CASES INSTALLATION ON A COMPLETE WALL	6/14

7 • FACADE DECORATION

WINDOW SILL PROFILE PREPARATION, ANGLED SECTION	7/2
ANGLED WINDOW SILL PROFILE	7/4
FRAME PROFILES	7/5
STRING COURSE	7/9
CUT IN THE PROFILE (DOWNPIPE)	7/9
KEY STONE	7/9
AREA OF THE ROOF OVERHANG AND PASSAGE	7/11
GABLE	7/12
STONES	7/13
CEILING ROSES	7/14
REPAIR OF DAMAGED PROFILES	7/15

This technical brochure has been prepared in accordance with the current state of our knowledge. We reserve the right to make modifications without prior notice. Without a written agreement to the contrary, our studies, descriptions, notices, advice or other technical documents concerning the functionality, behaviour or performance of goods are supplied as an indication only according to the common use of the goods under normal conditions of application, use and climate (moderate European regions), or those indicated to us by customers in writing. Save for the existence of fraud or gross negligence on our part, these studies, recommendations and other technical documents do not engage our liability. It is the customer's responsibility to check that they are suitable for the intended use.

CHAIR RAILS GENERAL



PREPARATION

- The VARIO mitre box can be fixed to the worktop or the staging with the existing aluminium brackets using two clamps (not included).



- Determine the height of the chair rail on the wall and mark the position on the wall using a chalk line or a laser level.



Inner corner



Outer corner

- Measure the angle of the corner of the wall using the adjustable set-square.



CUTTING

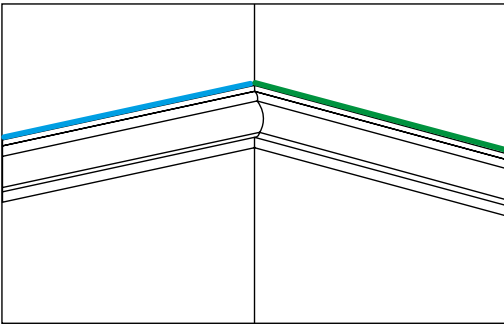
- Place the adjustable set-square flat in the bottom of the mitre box, one side resting against the vertical part of the mitre box.
- Measure the distance between the two ends of the set-square.
- Divide this value by 2 and set the saw guide to the value obtained.
- Ensure that the saw passes through the middle of the adjustment screws, correcting the position as necessary

The procedure applies to both corners inside and outside angles (mitre).

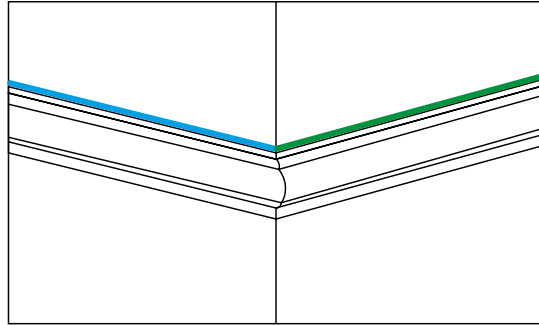


- Cut the chair-rails to size in the mitre box using the ARSTYL®/ WALLSTYL® saw.
- When using an electric mitre saw to cut WALLSTYL® chair-rails, the blade must be suitable for synthetic materials.

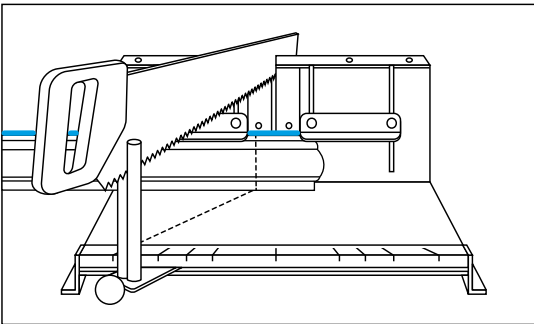
INNER CORNER



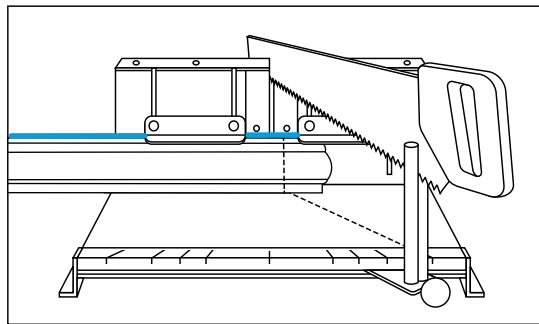
OUTER CORNER



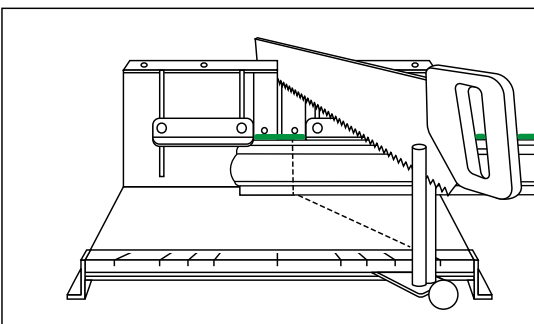
INNER CORNER LEFT



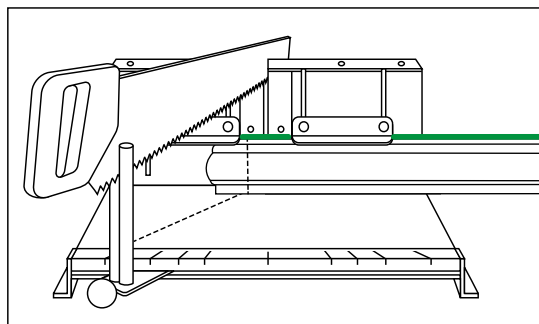
OUTER CORNER LEFT



INNER CORNER RIGHT



OUTER CORNER RIGHT



- Lightly sand the cut edges and the edges of the moulding with fine sandpaper (150 grit or less) or cutter and remove the sawdust with a damp sponge.



INSTALLATION

- Using a cartridge gun, generously apply the ADEFIX® adhesive in a continuous bead on gluing surfaces (see GLUE CONSUMPTION).



- Position the chair-rails against the wall; strengthen their attachment if necessary with steel nails or dots of hot glue.
- WALLSTYL® and ARSTYL® mouldings with a height / span smaller than 8 cm and NOMASTYL® profiles: apply ADEFIX® adhesive to the cuts and corner mitres so that it forms a 3 mm joint.
- WALLSTYL® and ARSTYL® mouldings with a height / span more than 8 cm: apply ADEFIX® PLUS adhesive to the cuts and corner mitres so that it forms a 3 mm joint.
The adhesive should not make a bead when the mouldings are pressed against one another. If necessary, the ADEFIX®PLUS adhesive can be removed cleanly with white spirit.



- Leave the glue to dry (min. 6h) then finish the joints with ADEFIX® adhesive
- Finish the wall joints as well as the mitre joints with ADEFIX® adhesive.
- Leave to dry (min. 6h). Apply the paint finish during the next 4 weeks (see FINISH).





CURVES FOR CHAIR RAILS



In the **NOMASTYL®** range, the chair-rail and corresponding curve have the same letter.
O can be associated with O16.

In the **ARSTYL®** range. The Z10 chair-rail can be associated with the Z101, Z102, Z103 and Z104 curves.
SP2-5 matched to SP2; SP3-4 to SP3.



PREPARATION

- Mark the location of the frames on the wall or ceiling; if necessary, use a spirit level or a plumb line.



CUTTING

- For curves curving towards the inside of the framework, cut the straight sections of curve along the mitre.
- Mitre cut the chair-rails at the corresponding angle
- Lightly sand the cut edges with fine emery paper (150 grit or less) or the cutter and remove the dust.



- Adjust and mark the curves on the wall



INSTALLATION

- Apply ADEFIX® adhesive to the back of the curve.
- Place and adjust the position of the curve.
- Apply a bead of ADEFIX® adhesive to the mounting surfaces on the back of the chair-rail. Glue the mitre (see GLUE CONSUMPTION).



- Place and adjust the position of the chair-rail. Adjust the height of the chairrail
- with ADEFIX® adhesive. Ensure there is still a glue joint with a width of 3 mm in the mitre.
- Place the other curves and chair-rails.
- Leave the glue to dry (min. 6 hours) then finish the joints and mitres with ADEFIX® adhesive.
- Leave to dry (min. 6h). Apply the paint finish during the next 4 weeks (see FINISH).



- For curves curved outwards, you can use the factory cut mitres (45°) and possibly provide another additional change of direction.
- For ceiling framing with outside corners, do not use these curves in these corners

SPECIAL CASES



STOPPING A CHAIR RAIL

- Place the chair rail in the mitre box (lower edge of the chair rail under the sliders).
- Make a cut at 45° above the outer edge of the chair rail (outer mitre cut).



- Make the counter-cut.



- Sand down and dust off the cut edge, then attach the chair rail with adhesive.



You can also make the elbow using hot glue. This allows the chair rail to be positioned after just a few minutes, without the risk of inaccuracies in the outside mitre.

CONTACT

BENELUX

NMC SA / AG

Gert-Noël-Straße

B - 4731 Eynatten

T +32 87 85 85 00

F +32 87 85 85 11

info@nmc.eu

DEUTSCHLAND

NMC Deutschland GmbH

Weierhausstraße 8 b

D - 64646 Heppenheim

T +49 62 52 967 - 0

info@nmc-deutschland.de

FRANCE

NMC France sas

Z.I. de la Forêt

97, Route d'Anor - CS 10103

F - 59613 Fourmies Cedex

T +33 3 27 60 81 00

F +33 3 27 59 98 55

info@nmc-france.fr

UNITED KINGDOM

NMC UK Ltd.

Unit 1 East, Bridge Road

UK - Brompton on Swale – Richmond, DL10 7HS

T +44 1969 623410

F+44 1969 624398

sales@nmc-copley.co.uk

AUSTRIA

MAPA plus

Riedlerweg 15

T 0316 - 24 39 49

info@mapa.at

mapa.at

SWITZERLAND

Jules C. Binder SA

Z.I. du Moulin du Choc D

CH-1122 Romanel-sur-Morges

T +41 21 691 48 49

F +41 21 691 48 89

info@jules-c-binder.ch

